

## Deuterium lamp

Model: LC-D2-AGI-G1315  
 Serial Nr.: xxxxx  
 Test date: xxxxx  
 Lifetime: 2000 h

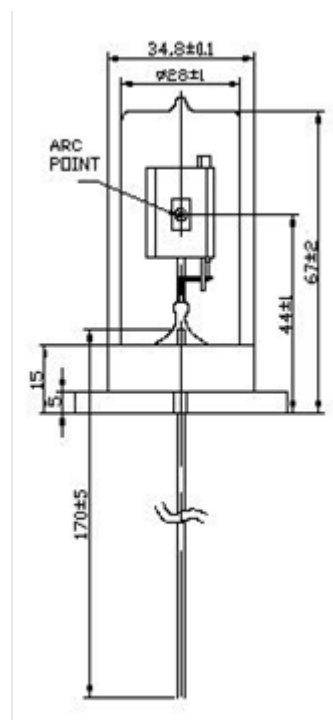
Suitable for replacement of Agilent part nrs. 08452-60104, 2140-0605, 79883-60002, G1314-60100, 2140-0590, 2140-0813, 5181-1530 and others

### Specifications:

Spectral range: 185 ~ 400 nm  
 Window material: quartz  
 Max. surface temperature: 290 °C  
 Strike voltage: 400 V  
 Anode voltage: 70 ~ 90 V DC  
 Anode current: 300 mA DC

### Filament ratings:

Warm-up voltage: 10 V DC, AC  
 Warm-up current: 0.8 A AC, DC  
 Operating voltage: 7 V DC  
 Operating current: 0.5 A DC  
 Output fluctuation (at 230 nm): 0.05% p-p  
 Output drift (at 230 nm):  $\pm 0.3\%$  / h  
 Filament warm-up time: 20 s



### SAFETY INSTRUCTIONS:

- This lamp emits ultraviolet radiation which can cause burning of the skin or eyes.
- Approved protective eyewear must be worn when viewing the lamp directly.
- Protect your skin against exposure to light emitted by this lamp.
- Finger prints or other foreign bodies on the glass can burn in and impair the light output.
- After handling the lamp it should be cleaned with a lens tissue moistened with alcohol. Make sure the lamp is dry before operating it.